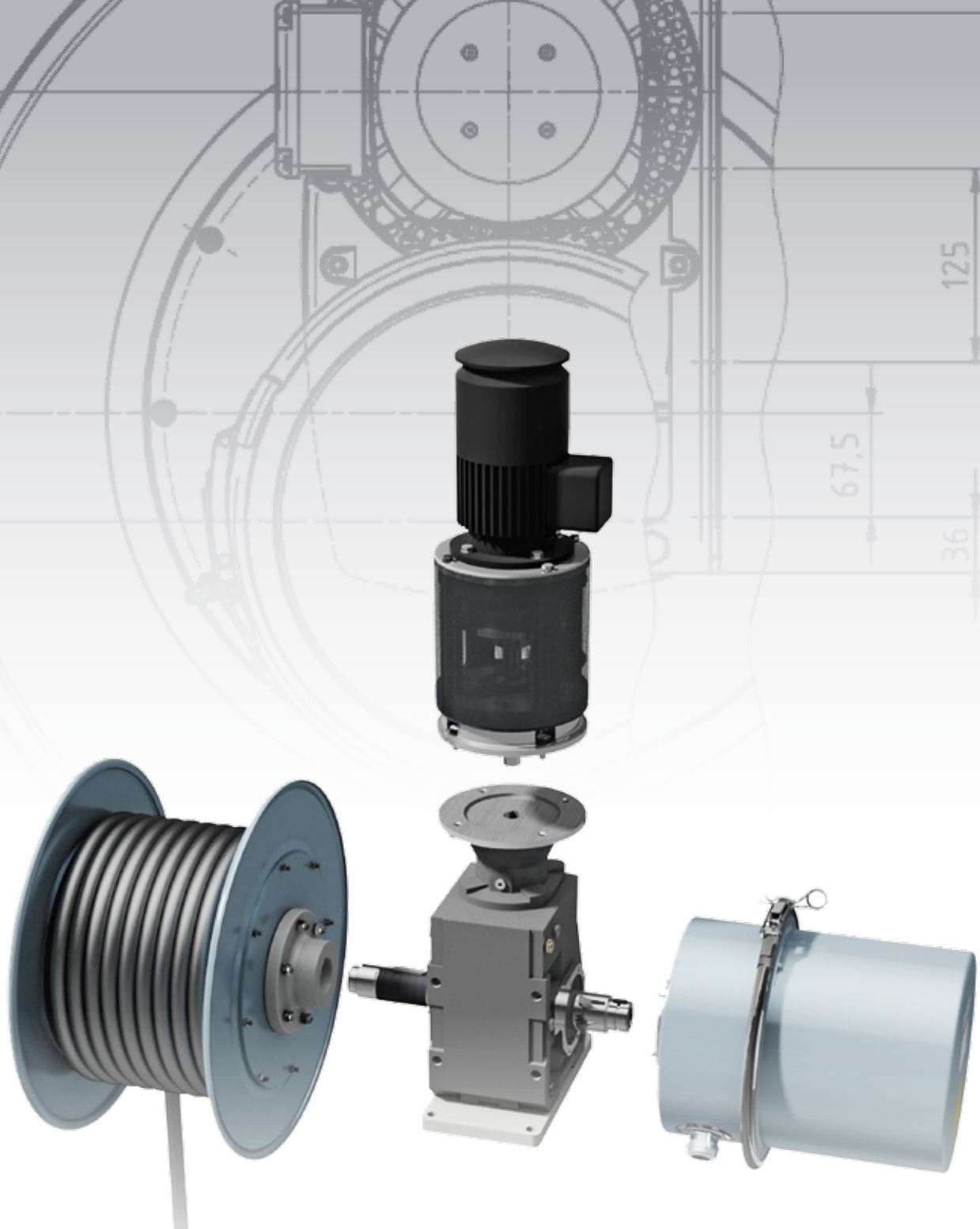
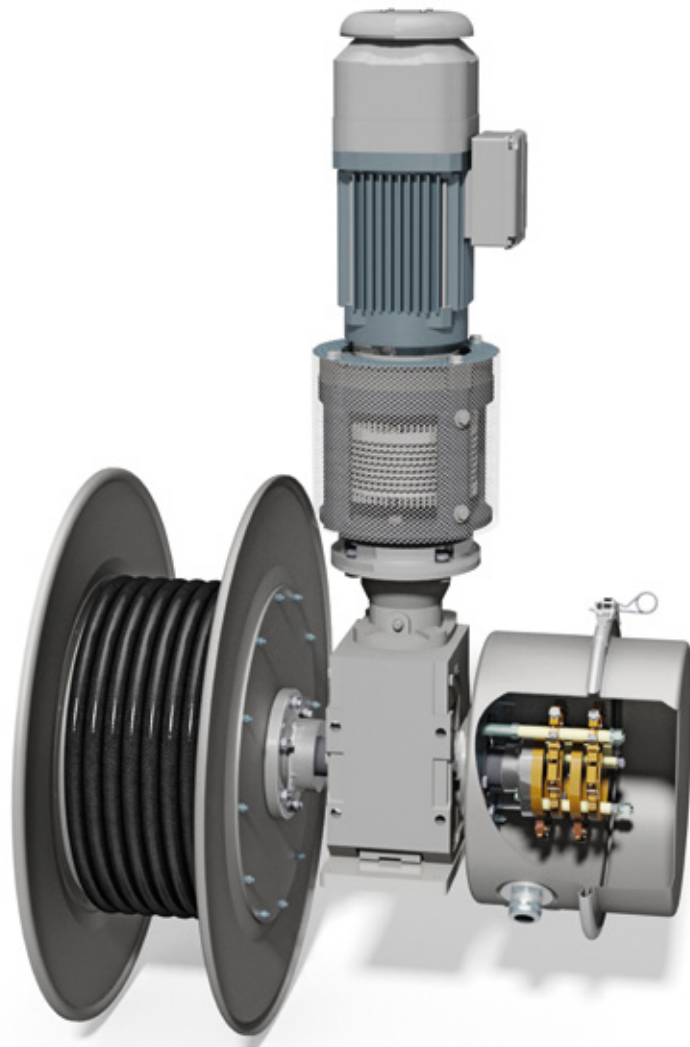




Hartmann & König  
STROMZUFÜHRUNGS AG



**Product Standards Motorized Cable Reels**



## Motor cable reel type G1

### Specifications at a glance

|                               |  |
|-------------------------------|--|
| <b>Application:</b>           | <ul style="list-style-type: none"> <li>Smaller installation space according to overall width</li> <li>Larger installation space according to total height of drive unit</li> </ul> |
| <b>Ambient temperature:</b>   | -20 °C up to +40 °C  |
| <b>Application range:</b>     | Cable reel on a mobile unit; without cable deflection accessories  |
|                               | Distance: up to 90 m end feed (180 m with centre feed)<br>up to 50 m end feed (90 m with centre feed)  |
|                               | Velocity: up to 80 m/min   |
|                               | Acceleration: up to 0,2 m/s <sup>2</sup>   |
|                               | Installation height: up to 2 m   |
| <b>Cable payout:</b>          | Horizontal to both sides   |
| <b>Payout direction:</b>      | Right (view to the slip ring assembly)   |
| <b>Cable drum:</b>            | Cylindrical winding cable reel   |
| <b>Drive unit:</b>            | Three-phase asynchronous motor with magnet coupling  |
| <b>Gear:</b>                  | Bevel gear drive   |
| <b>Slip ring assembly:</b>    | 3 Phase + PE 150 A, 500 V, S1  |
| <b>Cable type:</b>            | Trommelflex PUR-HF (incl. 2 safety windings)   |
| <b>Material:</b>              | Reel drum and slip ring housing made of sheet steel  |
| <b>Corrosion protection::</b> | Reel drum and slip ring housing sendzimir galvanized<br>Drive and gear unit painted acc. to: Corrosion category C3, RAL7040  |
| <b>Protection class:</b>      | IP55   |

### Motor cable reel type G1 : Trommelflex PUR-HF -

#### 4x 16 mm<sup>2</sup> - cable diameter = Ø 21,4 mm - cable weight = 0,85 kg/m

| Cable length | Cable reel type    | Weight | Article no. |
|--------------|--------------------|--------|-------------|
| up to 90 m   | G1-M7-T05301-150P4 | 190 kg | N1000-0040  |

#### 4x 25 mm<sup>2</sup> - cable diameter = Ø 24,9 mm - cable weight = 1,23 kg/m

| Cable length | Cable reel type    | Weight | Article no. |
|--------------|--------------------|--------|-------------|
| up to 50 m   | G1-M7-T04211-150P4 | 160 kg | N1000-0041  |
| up to 90 m   | G1-M7-T05311-150P4 | 200 kg | N1000-0042  |

#### 4x 35 mm<sup>2</sup> - cable diameter = Ø 30,2 mm - cable weight = 1,76 kg/m

| Cable length | Cable reel type    | Weight | Article no. |
|--------------|--------------------|--------|-------------|
| up to 50 m   | G1-M7-T05301-150P4 | 190 kg | N1000-0043  |
| up to 90 m   | G1-M7-T05311-150P4 | 200 kg | N1000-0044  |

#### 4x 16 mm<sup>2</sup> + 2x (4x 1,5 mm<sup>2</sup>)c - cable diameter = Ø 26,3 mm - cable weight = 1,14 kg/m

| Cable length | Cable reel type         | Weight | Article no. |
|--------------|-------------------------|--------|-------------|
| up to 50 m   | G1-M7-T05301-150P4+32P8 | 200 kg | N1000-0045  |
| up to 90 m   | G1-M7-T05311-150P4+32P8 | 210 kg | N1000-0050  |

#### 4x 35 mm<sup>2</sup> + 2x (4x 1,5 mm<sup>2</sup>)c - cable diameter = Ø 33,5 mm - cable weight = 1,95 kg/m

| Cable length | Cable reel type         | Weight | Article no. |
|--------------|-------------------------|--------|-------------|
| up to 50 m   | G1-M7-T05311-150P4+32P8 | 210 kg | N1000-0051  |

### Bevel gear drive unit → Motor cable reel type G

#### Preferred applications:

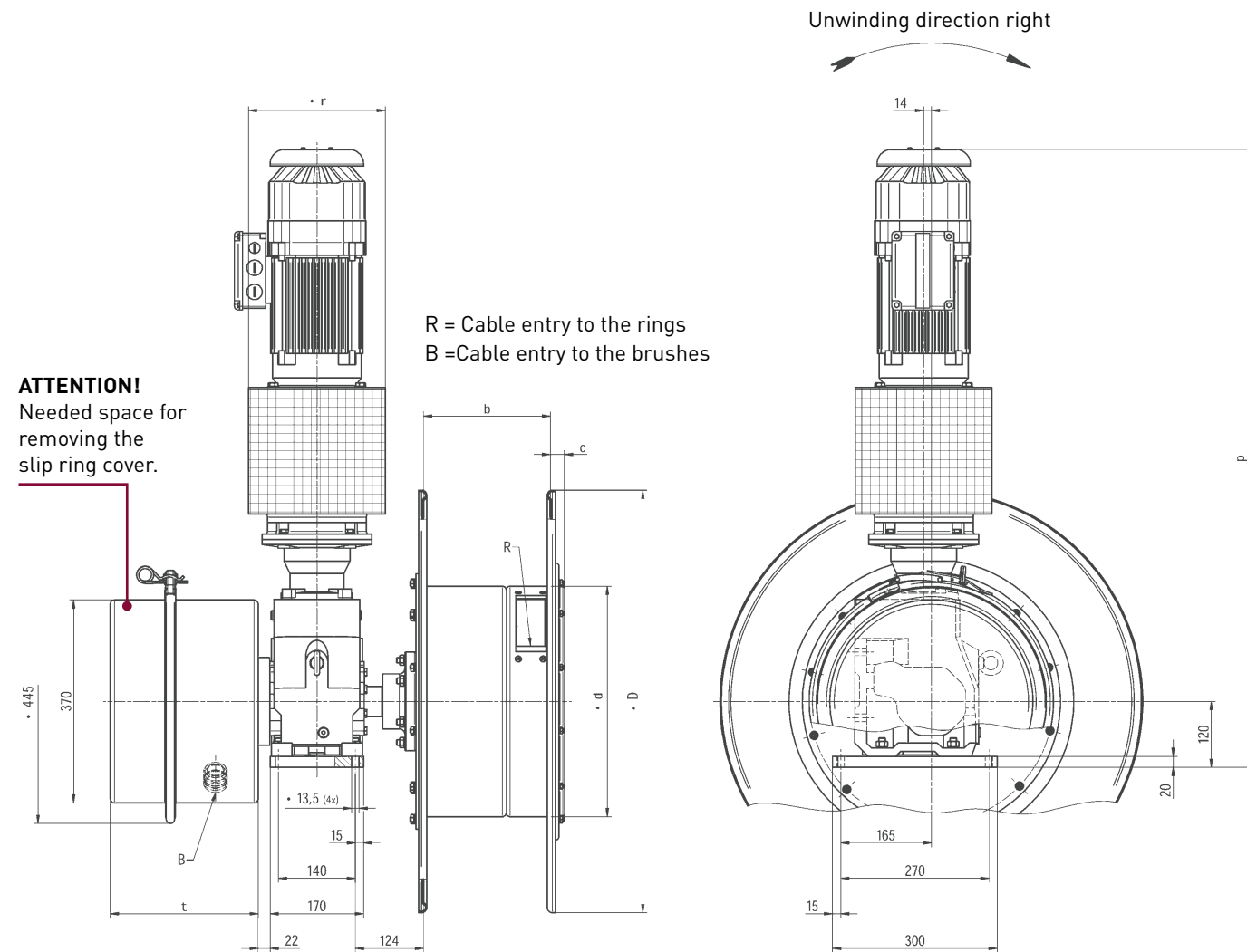
- Gantry cranes
- Indoor cranes
- Grabs and magnets

#### Performance of our bevel gear drives:

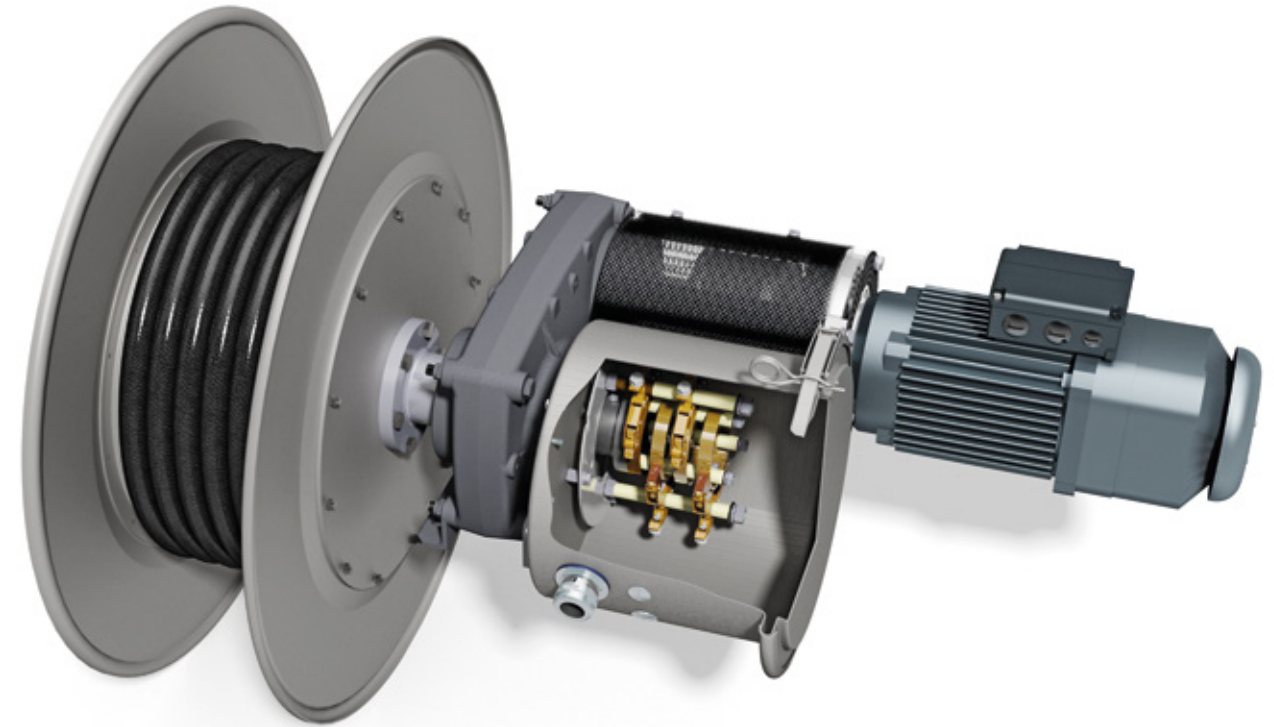
- Torque from 860 Nm up to 13.000 Nm
- Different mounting positions possible
- Large variance of versions
- Wide range of load cases
- Broad spectrum of slip ring assemblies possible
- Standard product at Hartmann & König



## Motor cable reel type G1: Dimension sheet and variable dimensions



| Cable reel type         | Weight | Reel drum |          |        |         | Gear unit |          | Slip ring assembly |
|-------------------------|--------|-----------|----------|--------|---------|-----------|----------|--------------------|
|                         |        | ∅ d       | ∅ D      | b      | c       | ∅ r       | p        |                    |
| G1-M7-T04211-150P4      | 160 kg | 420 mm    | 770 mm   | 240 mm | 25,5 mm | 253 mm    | 1.126 mm | 270 mm             |
| G1-M7-T05301-150P4      | 190 kg | 530 mm    | 900 mm   | 310 mm | 27,5 mm | 253 mm    | 1.126 mm | 270 mm             |
| G1-M7-T05311-150P4      | 200 kg | 530 mm    | 1.000 mm | 310 mm | 27,5 mm | 253 mm    | 1.126 mm | 270 mm             |
| G1-M7-T05301-150P4+32P8 | 200 kg | 530 mm    | 900 mm   | 310 mm | 27,5 mm | 253 mm    | 1.126 mm | 383 mm             |
| G1-M7-T05311-150P4+32P8 | 210 kg | 530 mm    | 1.000 mm | 310 mm | 27,5 mm | 253 mm    | 1.126 mm | 383 mm             |



## Motor cable reel type HFI

## Specifications at a glance

|                               |  |
|-------------------------------|--|
| <b>Application:</b>           | <ul style="list-style-type: none"> <li>Smaller installation space according to overall height</li> <li>Larger installation space according to total width of drive unit</li> </ul>   |
| <b>Ambient temperature:</b>   | -20 °C up to +40 °C  |
| <b>Application range:</b>     | Cable reel on a mobile unit; without cable deflection accessories<br>Distance: up to 90 m end feed (180 m with centre feed)<br>up to 50 m end feed (90 m with centre feed)<br>Velocity: up to 80 m/min<br>Acceleration: up to 0,2 m/s <sup>2</sup><br>Installation height: up to 2 m |
| <b>Cable payout:</b>          | Horizontal to both sides   |
| <b>Payout direction:</b>      | Right (view to the slip ring assembly)   |
| <b>Cable drum:</b>            | Cylindrical winding cable reel   |
| <b>Drive unit:</b>            | Three-phase asynchronous motor with magnet coupling  |
| <b>Gear:</b>                  | Flat gear  |
| <b>Slip ring assembly:</b>    | 3 Phase + PE 125 A, 500 V, S1  |
| <b>Cable type:</b>            | Trommelflex PUR-HF (incl. 2 safety windings)   |
| <b>Material:</b>              | Reel drum and slip ring housing made of sheet steel  |
| <b>Corrosion protection::</b> | Reel drum and slip ring housing sendzimir galvanized<br>Drive and gear unit painted acc. to: Corrosion category C3, RAL7040  |
| <b>Protection class:</b>      | IP55   |

## Motor cable reel type HFI: Trommelflex PUR-HF -

### 4x 16 mm<sup>2</sup> - cable diameter = Ø 21,4 mm - cable weight = 0,85 kg/m

| Cable length | Cable reel type | Weight | Article no. |
|--------------|-----------------|--------|-------------|
| up to 90 m   | HFI530/7S4-125  | 165 kg | X1580-2668  |

### 4x 25 mm<sup>2</sup> - cable diameter = Ø 24,9 mm - cable weight = 1,23 kg/m

| Cable length | Cable reel type | Weight | Article no. |
|--------------|-----------------|--------|-------------|
| up to 50 m   | HFI421/7S4-125  | 145 kg | X1580-2669  |
| up to 90 m   | HFI531/7S4-125  | 170 kg | X1580-2670  |

### 4x 35 mm<sup>2</sup> - cable diameter = Ø 30,2 mm - cable weight = 1,76 kg/m

| Cable length | Cable reel type | Weight | Article no. |
|--------------|-----------------|--------|-------------|
| up to 50 m   | HFI530/7S4-125  | 165 kg | X1580-2671  |
| up to 90 m   | HFI531/7S4-125  | 170 kg | X1580-2672  |

### 4x 16 mm<sup>2</sup> + 2x (4x 1,5 mm<sup>2</sup>)c - cable diameter = Ø 26,3 mm - cable weight = 1,14 kg/m

| Cable length | Cable reel type     | Weight | Article no. |
|--------------|---------------------|--------|-------------|
| up to 50 m   | HFI530/7S4-125+8-32 | 175 kg | X1580-2673  |
| up to 90 m   | HFI531/7S4-125+8-32 | 180 kg | X1580-2674  |

### 4x 35 mm<sup>2</sup> + 2x (4x 1,5 mm<sup>2</sup>)c - cable diameter = Ø 33,5 mm - cable weight = 1,95 kg/m

| Cable length | Cable reel type     | Weight | Article no. |
|--------------|---------------------|--------|-------------|
| up to 50 m   | HFI531/7S4-125+8-32 | 180 kg | X1580-2675  |

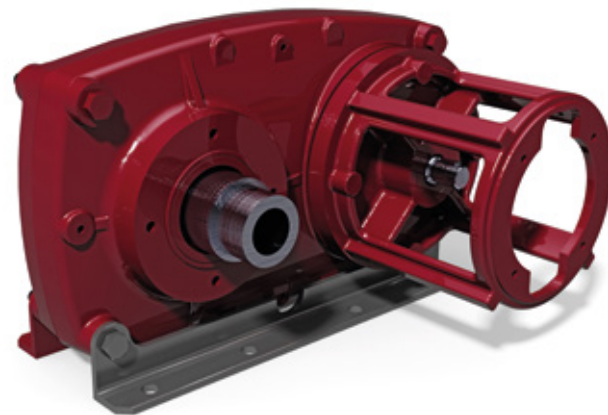
## Flat gear unit → Motor cable reel type HF

### Preferred applications:

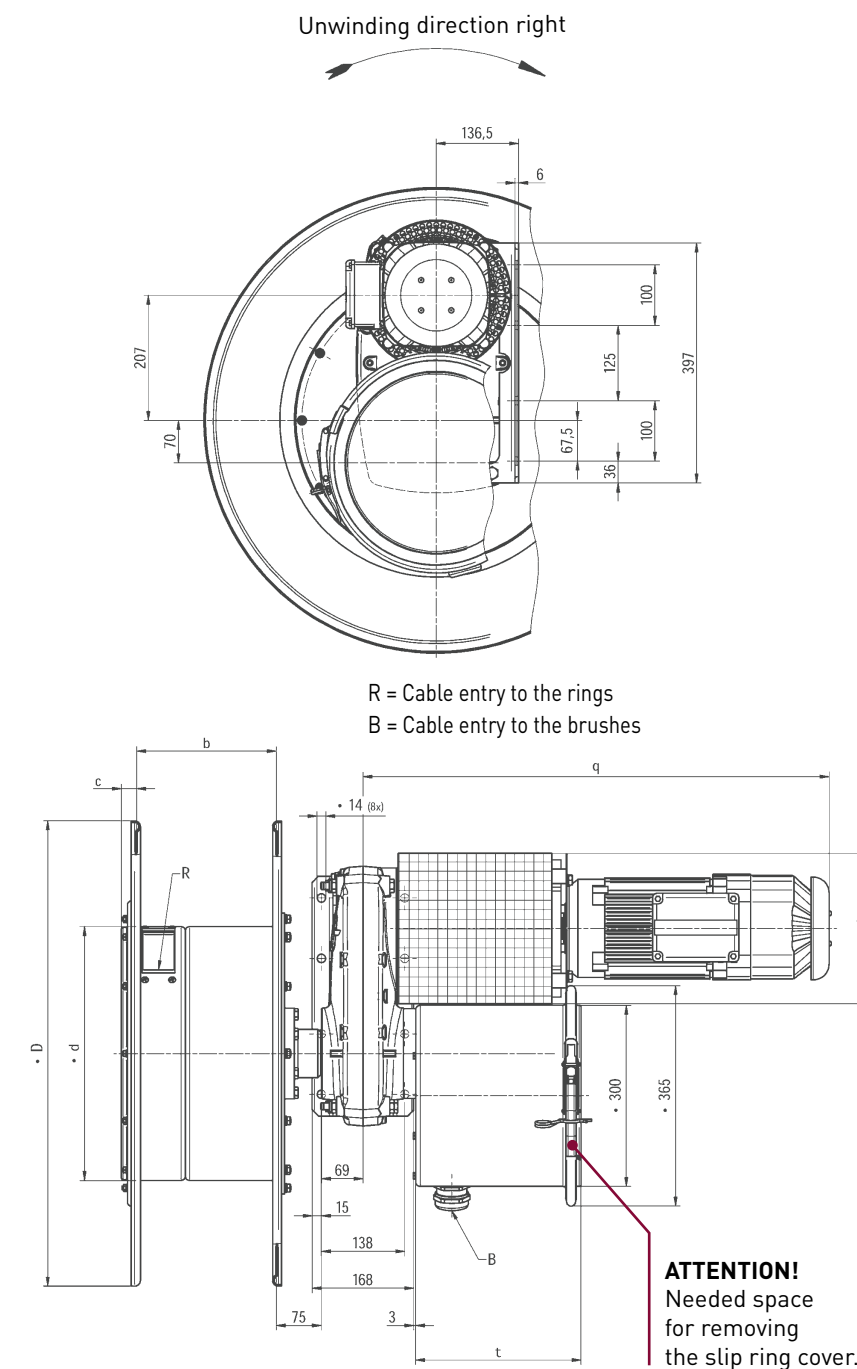
- Plant engineering / transfer cars
- Longitudinal scraper bridges in wastewater treatment plants
- Locomotives for in-house transport

### Performance of our flat gear units:

- Torque from 950 Nm up to 1.550 Nm
- Different mounting positions possible
- Cost-effective solutions
- Smaller installation space according to the overall height
- Standard product at Hartmann & König



## Motor cable reel type HFI: Dimension sheet and variable dimensions



| Cable reel type     | Weight | Reel drum |          |        |         | Gear unit |        | Slip ring assembly |
|---------------------|--------|-----------|----------|--------|---------|-----------|--------|--------------------|
|                     |        | Ø d       | Ø D      | b      | c       | Ø r       | p      | t                  |
| HFI421/7S4-125      | 145 kg | 420 mm    | 770 mm   | 240 mm | 25,5 mm | 250 mm    | 772 mm | 275 mm             |
| HFI530/7S4-125      | 165 kg | 530 mm    | 900 mm   | 310 mm | 27,5 mm | 250 mm    | 772 mm | 275 mm             |
| HFI531/7S4-125      | 170 kg | 530 mm    | 1.000 mm | 310 mm | 27,5 mm | 250 mm    | 772 mm | 275 mm             |
| HFI530/7S4-125+8-32 | 175 kg | 530 mm    | 900 mm   | 310 mm | 27,5 mm | 250 mm    | 772 mm | 345 mm             |
| HFI531/7S4-125+8-32 | 180 kg | 530 mm    | 1.000 mm | 310 mm | 27,5 mm | 250 mm    | 772 mm | 345 mm             |





## Optional add-ons

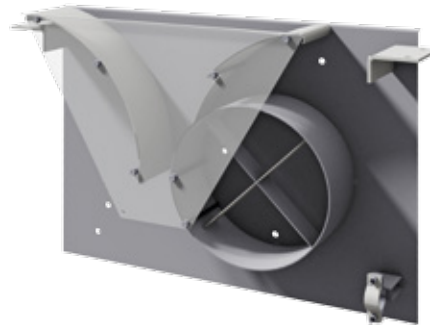
- Cam limit switch
- Heater

## Optional modifications

- Drum body and slip ring body made of stainless steel
- Different paintings (amongst others RAL 7031, ...)
- Corrosion category C5
- Unwinding direction "Left, looking at the slip ring assembly"
- Protection class IP65

## Accessories

- Cable deflection guides, type series ULTV
- Cable pulling grip (LZ)



Hartmann & König  
STROMZUFÜHRUNGS AG

Hubert-und-Ursula-Herberger-Platz 1 | 76676 Graben-Neudorf | Germany  
Phone: +49 7255 7120-0 | Fax: +49 7255 5038  
Email: [info@hukag.com](mailto:info@hukag.com) | Internet: [www.hukag.com](http://www.hukag.com)

