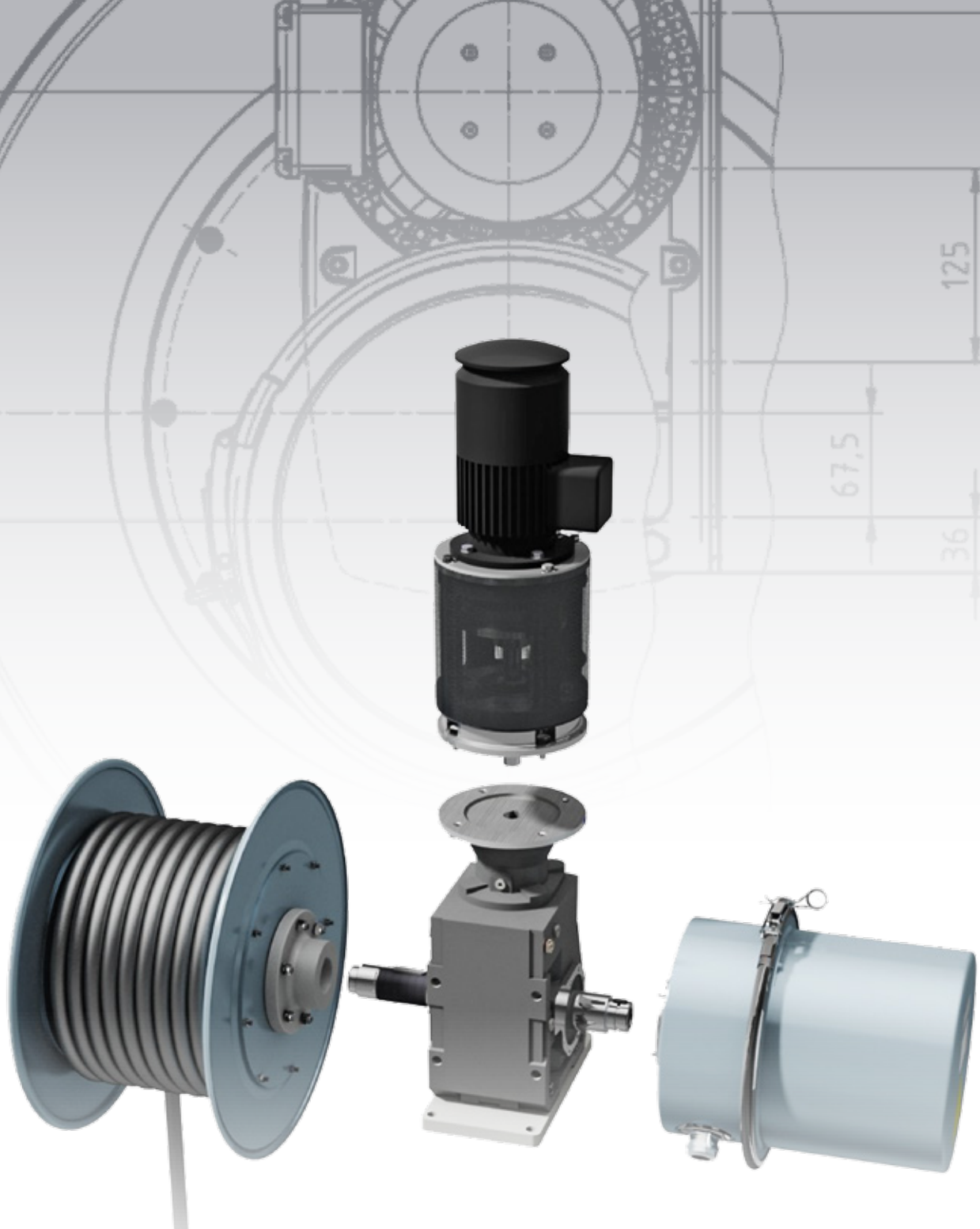
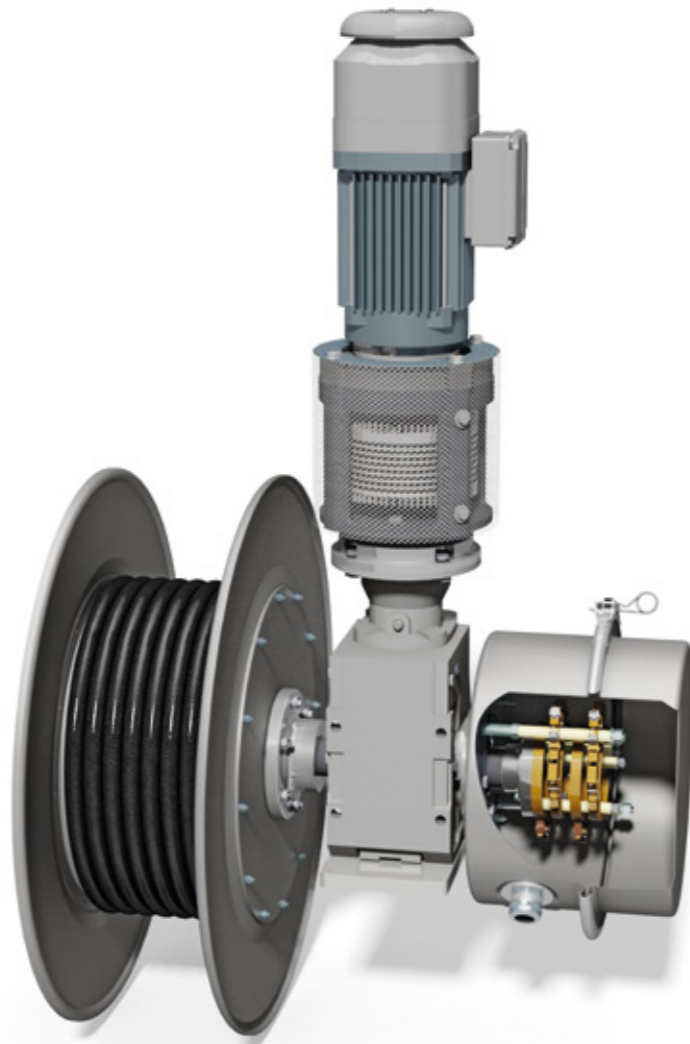




Hartmann & König  
STROMZUFÜHRUNGS AG



**Product Standards Motorized Cable Reels**



## Motor cable reel type G1

### Specifications at a glance

<b>Application:</b>	<ul style="list-style-type: none"> <li>Smaller installation space according to overall width</li> <li>Larger installation space according to total height of drive unit</li> </ul>
<b>Ambient temperature:</b>	-20 °C up to +40 °C
<b>Application range:</b>	Cable reel on a mobile unit; without cable deflection accessories
	Distance: up to 90 m end feed (180 m with centre feed) up to 50 m end feed (90 m with centre feed)
	Velocity: up to 80 m/min
	Acceleration: up to 0,2 m/s <sup>2</sup>
	Installation height: up to 2 m
<b>Cable payout:</b>	Horizontal to both sides
<b>Payout direction:</b>	Right (view to the slip ring assembly)
<b>Cable drum:</b>	Cylindrical winding cable reel
<b>Drive unit:</b>	Three-phase asynchronous motor with magnet coupling
<b>Gear:</b>	Bevel gear drive
<b>Slip ring assembly:</b>	3 Phase + PE 150 A, 500 V, S1 or 3 Phase + PE 150 A, 500 V + 8x32 A, 230 V, S1
<b>Cable type:</b>	PUR-HF (incl. 2 safety windings)
<b>Material:</b>	Reel drum and slip ring housing made of sheet steel
<b>Corrosion protection::</b>	Reel drum and slip ring housing sendzimir galvanized Drive and gear unit painted acc. to: Corrosion category C3, RAL7040
<b>Protection class:</b>	IP55

### Motor cable reel type G1

#### PUR-HF 4x 16 mm<sup>2</sup> - cable diameter = Ø 21,4 mm - cable weight = 0,85 kg/m

Cable length	Cable reel type	Weight	Article no.
up to 90 m	G1-M7-T05301-150P4	190 kg	N1000-0040

#### PUR-HF 4x 25 mm<sup>2</sup> - cable diameter = Ø 24,9 mm - cable weight = 1,23 kg/m

Cable length	Cable reel type	Weight	Article no.
up to 50 m	G1-M7-T04211-150P4	160 kg	N1000-0041
up to 90 m	G1-M7-T05311-150P4	200 kg	N1000-0042

#### PUR-HF 4x 35 mm<sup>2</sup> - cable diameter = Ø 30,2 mm - cable weight = 1,76 kg/m

Cable length	Cable reel type	Weight	Article no.
up to 50 m	G1-M7-T05301-150P4	190 kg	N1000-0043
up to 90 m	G1-M7-T05311-150P4	200 kg	N1000-0044

#### PUR-HF 4x 16 mm<sup>2</sup> + 2x (4x 1,5 mm<sup>2</sup>)c - cable diameter = Ø 26,3 mm - cable weight = 1,14 kg/m

Cable length	Cable reel type	Weight	Article no.
up to 50 m	G1-M7-T05301-150P4+32P8	200 kg	N1000-0045
up to 90 m	G1-M7-T05311-150P4+32P8	210 kg	N1000-0050

#### PUR-HF 4x 35 mm<sup>2</sup> + 2x (4x 1,5 mm<sup>2</sup>)c - cable diameter = Ø 33,5 mm - cable weight = 1,95 kg/m

Cable length	Cable reel type	Weight	Article no.
up to 50 m	G1-M7-T05311-150P4+32P8	210 kg	N1000-0051

### Bevel gear drive unit → Motor cable reel type G

#### Preferred applications:

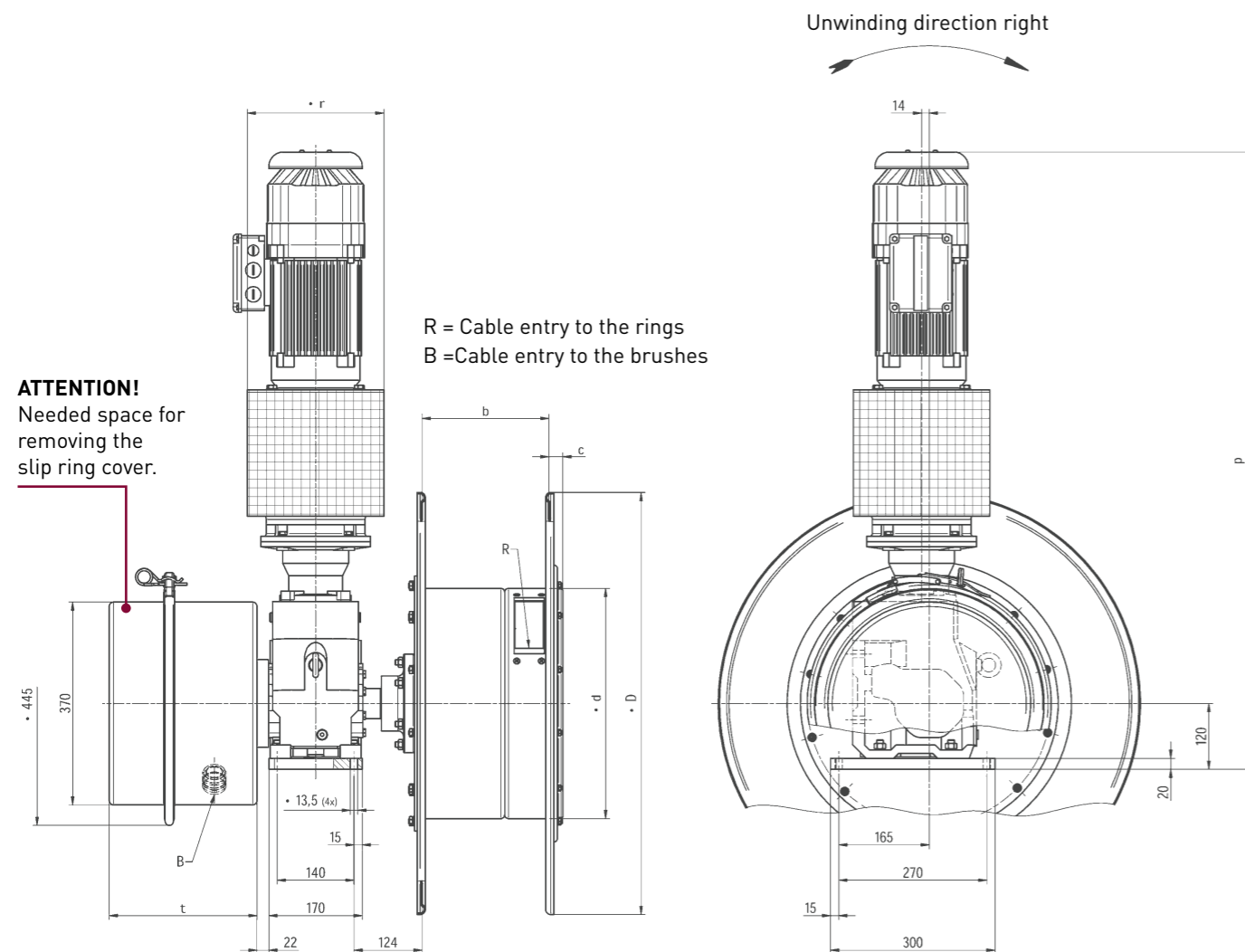
- Gantry cranes
- Indoor cranes
- Grabs and magnets

#### Performance of our bevel gear drives:

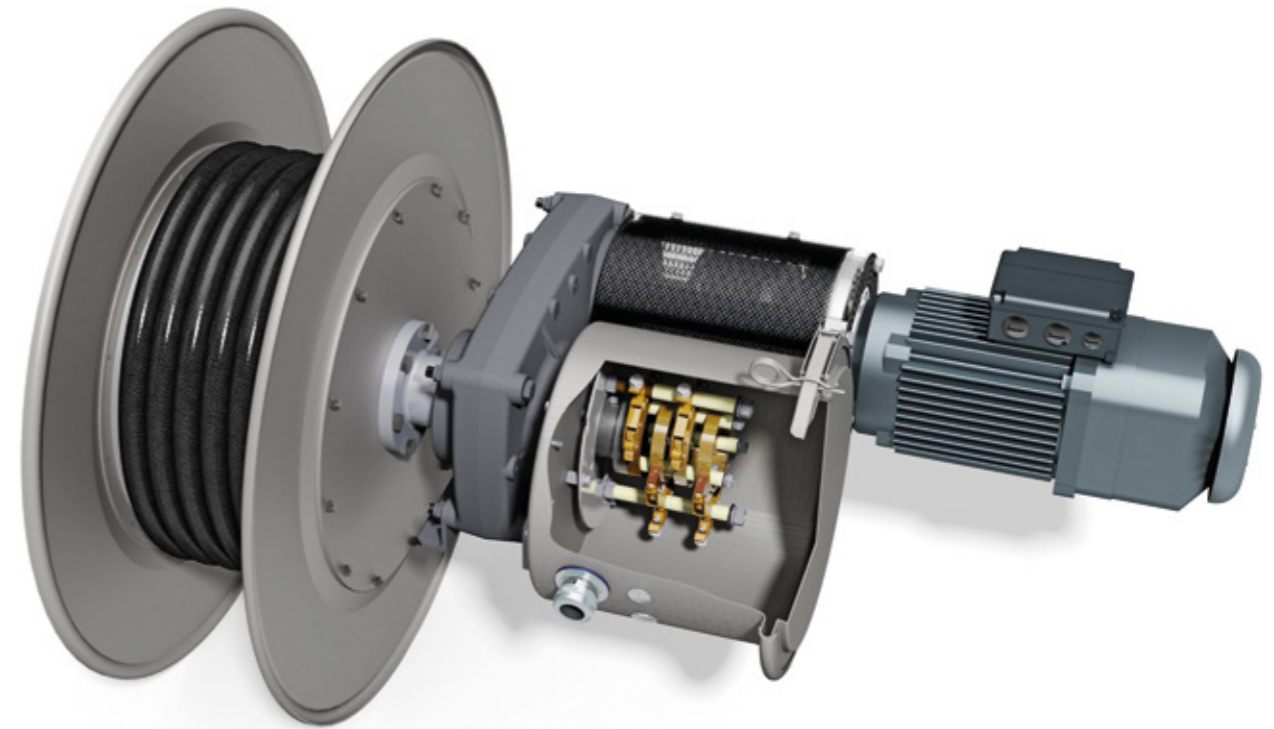
- Torque from 860 Nm up to 13.000 Nm
- Different mounting positions possible
- Large variance of versions
- Wide range of load cases
- Broad spectrum of slip ring assemblies possible
- Standard product at Hartmann & König



## Motor cable reel type G1: Dimension sheet and variable dimensions



Cable reel type	Weight	Reel drum				Gear unit		Slip ring assembly
		∅ d	∅ D	b	c	∅ r	p	
G1-M7-T04211-150P4	160 kg	420 mm	770 mm	240 mm	25,5 mm	253 mm	1.126 mm	270 mm
G1-M7-T05301-150P4	190 kg	530 mm	900 mm	310 mm	27,5 mm	253 mm	1.126 mm	270 mm
G1-M7-T05311-150P4	200 kg	530 mm	1.000 mm	310 mm	27,5 mm	253 mm	1.126 mm	270 mm
G1-M7-T05301-150P4+32P8	200 kg	530 mm	900 mm	310 mm	27,5 mm	253 mm	1.126 mm	383 mm
G1-M7-T05311-150P4+32P8	210 kg	530 mm	1.000 mm	310 mm	27,5 mm	253 mm	1.126 mm	383 mm



## Motor cable reel type HFI

## Specifications at a glance

<b>Application:</b>	<ul style="list-style-type: none"> <li>Smaller installation space according to overall height</li> <li>Larger installation space according to total width of drive unit</li> </ul>
<b>Ambient temperature:</b>	-20 °C up to +40 °C
<b>Application range:</b>	Cable reel on a mobile unit; without cable deflection accessories
	Distance: up to 90 m end feed (180 m with centre feed) up to 50 m end feed (90 m with centre feed)
	Velocity: up to 80 m/min
	Acceleration: up to 0,2 m/s <sup>2</sup>
	Installation height: up to 2 m
<b>Cable payout:</b>	Horizontal to both sides
<b>Payout direction:</b>	Right (view to the slip ring assembly)
<b>Cable drum:</b>	Cylindrical winding cable reel
<b>Drive unit:</b>	Three-phase asynchronous motor with magnet coupling
<b>Gear:</b>	Flat gear
<b>Slip ring assembly:</b>	3 Phase + PE 125 A, 500 V, S1 or 3 Phase + PE 150 A, 500 V + 8x32 A, 230 V, S1
<b>Cable type:</b>	PUR-HF (incl. 2 safety windings)
<b>Material:</b>	Reel drum and slip ring housing made of sheet steel
<b>Corrosion protection::</b>	Reel drum and slip ring housing sendzimir galvanized
	Drive and gear unit painted acc. to: Corrosion category C3, RAL7040
<b>Protection class:</b>	IP55

### Motor cable reel type HFI

PUR-HF 4x 16 mm <sup>2</sup> - cable diameter = Ø 21,4 mm - cable weight = 0,85 kg/m			
Cable length	Cable reel type	Weight	Article no.
up to 90 m	HFI530/7S4-125	165 kg	X1580-2668
PUR-HF 4x 25 mm <sup>2</sup> - cable diameter = Ø 24,9 mm - cable weight = 1,23 kg/m			
Cable length	Cable reel type	Weight	Article no.
up to 50 m	HFI421/7S4-125	145 kg	X1580-2669
up to 90 m	HFI531/7S4-125	170 kg	X1580-2670
PUR-HF 4x 35 mm <sup>2</sup> - cable diameter = Ø 30,2 mm - cable weight = 1,76 kg/m			
Cable length	Cable reel type	Weight	Article no.
up to 50 m	HFI530/7S4-125	165 kg	X1580-2671
up to 90 m	HFI531/7S4-125	170 kg	X1580-2672
PUR-HF 4x 16 mm <sup>2</sup> + 2x (4x 1,5 mm <sup>2</sup> )c - cable diameter = Ø 26,3 mm - cable weight = 1,14 kg/m			
Cable length	Cable reel type	Weight	Article no.
up to 50 m	HFI530/7S4-125+8-32	175 kg	X1580-2673
up to 90 m	HFI531/7S4-125+8-32	180 kg	X1580-2674
PUR-HF 4x 35 mm <sup>2</sup> + 2x (4x 1,5 mm <sup>2</sup> )c - cable diameter = Ø 33,5 mm - cable weight = 1,95 kg/m			
Cable length	Cable reel type	Weight	Article no.
up to 50 m	HFI531/7S4-125+8-32	180 kg	X1580-2675

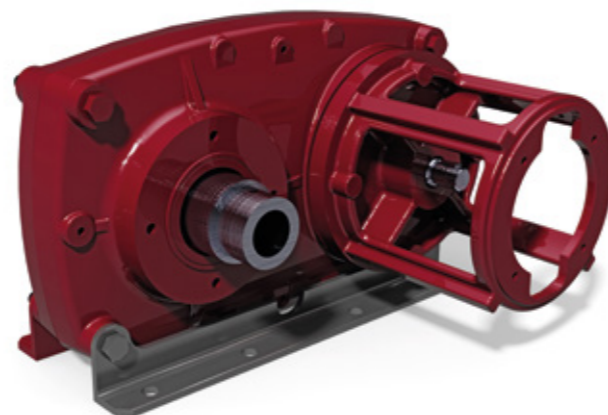
### Flat gear unit → Motor cable reel type HF

**Preferred applications:**

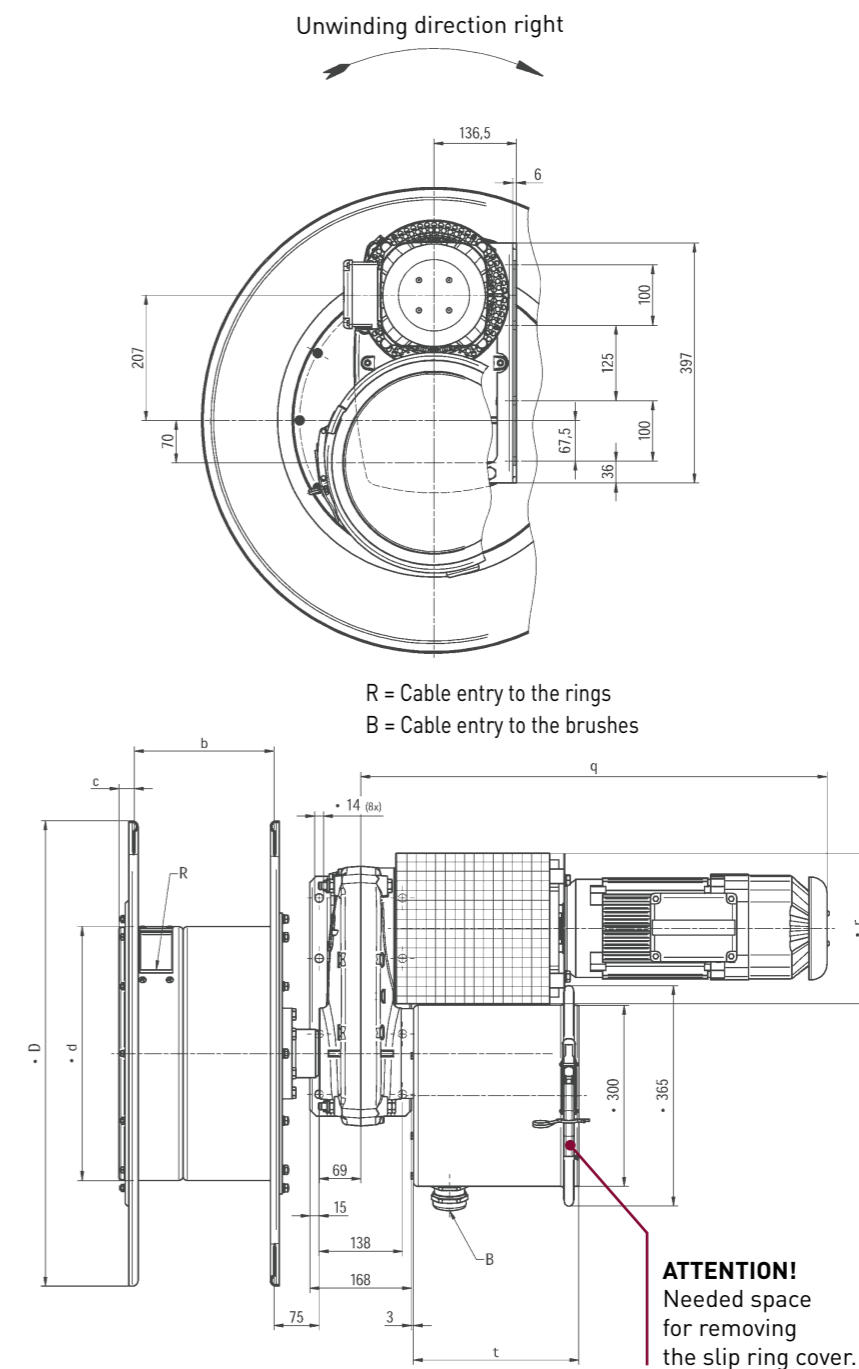
- Plant engineering / transfer cars
- Longitudinal scraper bridges in wastewater treatment plants
- Locomotives for in-house transport

**Performance of our flat gear units:**

- Torque from 950 Nm up to 1.550 Nm
- Different mounting positions possible
- Cost-effective solutions
- Smaller installation space according to the overall height
- Standard product at Hartmann & König



### Motor cable reel type HFI: Dimension sheet and variable dimensions



Cable reel type	Weight	Reel drum				Gear unit		Slip ring assembly
		Ø d	Ø D	b	c	Ø r	p	t
<b>HFI421/7S4-125</b>	145 kg	420 mm	770 mm	240 mm	25,5 mm	250 mm	772 mm	275 mm
<b>HFI530/7S4-125</b>	165 kg	530 mm	900 mm	310 mm	27,5 mm	250 mm	772 mm	275 mm
<b>HFI531/7S4-125</b>	170 kg	530 mm	1.000 mm	310 mm	27,5 mm	250 mm	772 mm	275 mm
<b>HFI530/7S4-125+8-32</b>	175 kg	530 mm	900 mm	310 mm	27,5 mm	250 mm	772 mm	345 mm
<b>HFI531/7S4-125+8-32</b>	180 kg	530 mm	1.000 mm	310 mm	27,5 mm	250 mm	772 mm	345 mm



## Optional add-ons

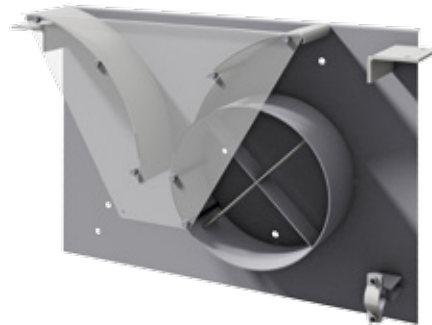
- Cam limit switch
- Heater

## Optional modifications

- Drum body and slip ring body made of stainless steel
- Different paintings (amongst others RAL 7031, ...)
- Corrosion category C5
- Unwinding direction "Left, looking at the slip ring assembly"
- Protection class IP65

## Accessories

- Cable deflection guides, type series ULTV
- Cable pulling grip (LZ)



Hartmann & König  
STROMZUFÜHRUNGS AG

Hubert-und-Ursula-Herberger-Platz 1 | 76676 Graben-Neudorf | Germany  
Phone: +49 7255 7120-0 | Fax: +49 7255 5038  
Email: [info@hukag.com](mailto:info@hukag.com) | Internet: [www.hukag.com](http://www.hukag.com)

